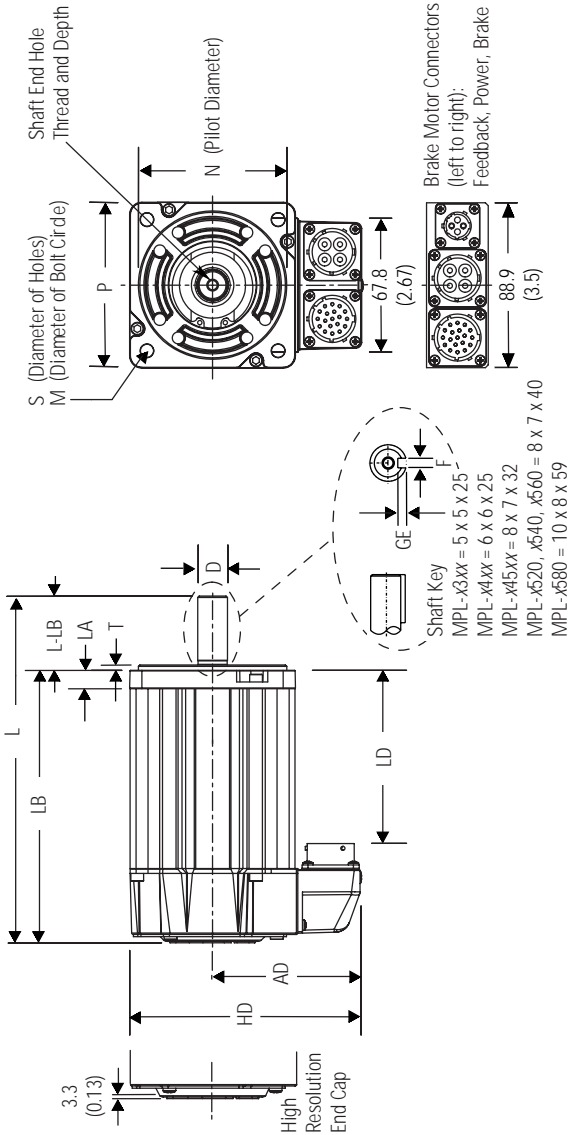


# Mounting Dimensions

Motors are designed to metric dimensions (mm), inch dimensions (in.) are conversions

**Figure 1** References for Motor Dimensions



Note: Electronic zero (Index pulse or Stegmann ABS = 0) occurs when the shaft key or dimple (not shown) is aligned with the connectors (as shown).