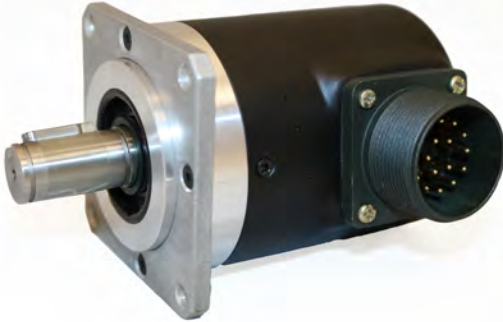
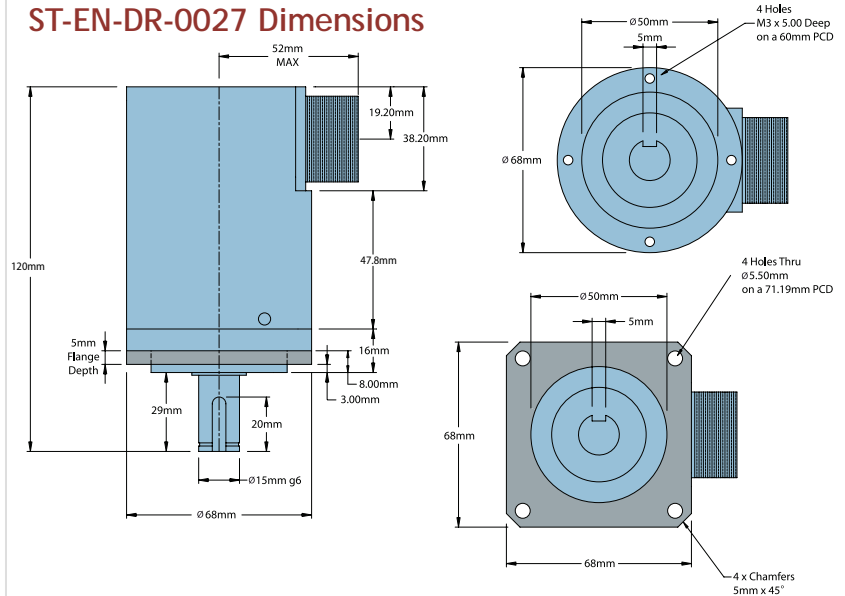


# ST-EN-DR-0027



ST-EN-DR-0027 is an extra heavy duty unit within a rugged mechanical housing. The heavy duty sealed bearings, together with double O-Ring sealing makes this encoder a serious and reliable alternative to a wide range of machine tool encoders, and at an advantageous price.

## ST-EN-DR-0027 Dimensions



## ST-EN-DR-0027 SPECIFICATIONS

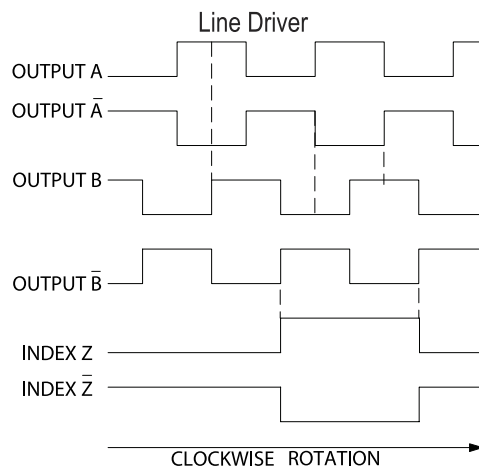
### Electrical

Input Voltage .....4.5 to 28 VDC  
 Input Current .....100 mA max  
 Output Format .....TTL  
 Output Types..... Line Driver

### Mechanical

Max Shaft Speed.....8000 RPM  
 Electrical Conn.....17 pin MS connector  
 Housing.....Polished Aluminum  
 Mounting.....Flex Arm Mount standard

## ST-EN-DR-0027 Waveform Diagram



NOTE: ALL DEGREE REFERENCES ARE ELECTRICAL DEGREES

## ST-EN-DR-0027 Wiring Table

PIN	FUNCTION
A	A
B	Z
C	B
D	----
E	----
F	----
G	----
H	+VCC
J	----
K	0 Volts
L	----
M	----
N	/A
P	/Z
R	/B
S	----
T	----

(866)807-3786 • Sales@Servotechusa.com

Servotech Inc • 478 Timber Ridge Rd Middletown, CT 06457