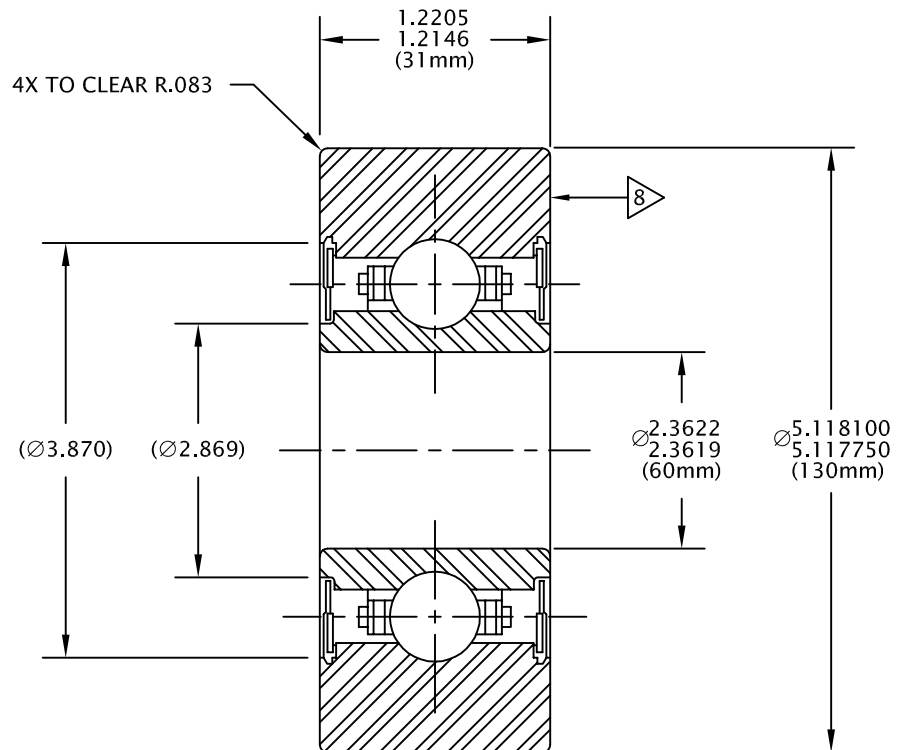


ST-FA-BE-636212K

Radial ball bearing with two piece, machined, rivetted, outer land piloting retainer and two non-contacting seals. This bearing replaces Fanuc A97L-0200-0149#636212K



ST-FA-BE-636212K

Tolerance Class

ABEC 7 GRADE

Material

RINGS & BALLS: 52100 STEEL PER AMS 6444, HRC 60 MIN
 RETAINER: PHENOLIC PER MIL-I-24768/13 WITH BONDED
 T2024 ALUMINUM SIDE PLATES PER AMS 4037
 RIVETS: 5056-H32 ALUMINUM
 SEALS: NITRILE BUTADIENE RUBBER BONDED TO STEEL INSERTS

Radial Clearance

.0009 - .0017

Ball Complement

9 - $\varnothing 5/8$ (.6250), GRADE 10

LOAD RATINGS

DYNAMIC: 11185 LB
 STATIC RADIAL: 9486 LB
 STATIC THRUST: 6747 LB

RPM

17,000

LUBRICATION

KLUBERSPEED BF 72-22 GREASE, 25% TO 35% FULL

(866)807-3786 • Sales@Servotechusa.com

Servotech Inc • 478 Timber Ridge Rd Middletown, CT 06457