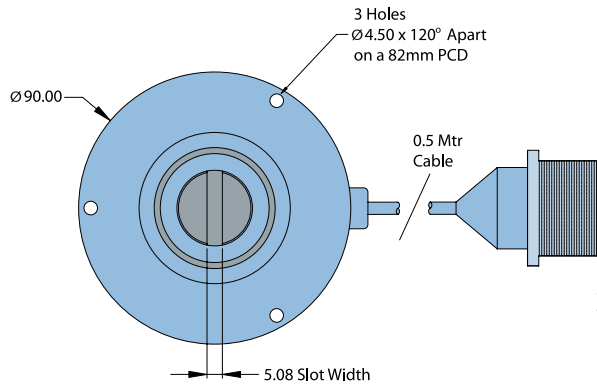
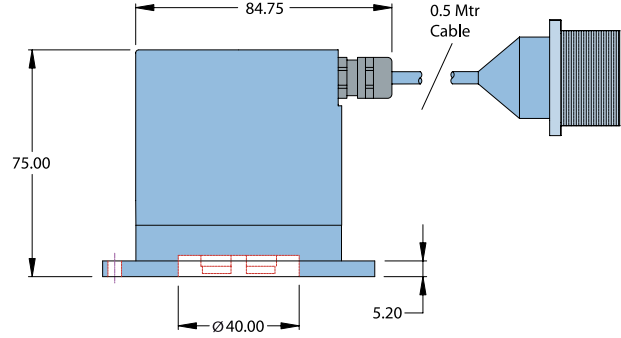


# ST-EN-DR-300DC



ST-EN-DR-300DC is a direct replacement to install in all Fanuc's Legacy DC motors. This heavy duty encoder mounts right onto the motor just like the OEM encoder.

## ST-EN-DR-300DC Dimensions



### ST-EN-DR-300DC SPECIFICATIONS

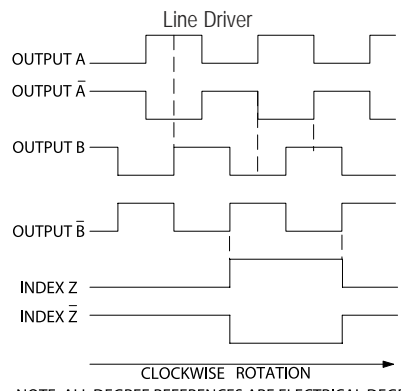
**Electrical**  
 Input Voltage .....4.5 to 28 VDC  
 Input Current .....100 mA max  
 Output Format .....TTL  
 Output Types.....Line Driver

**Mechanical**  
 Max Shaft Speed.....7000 RPM  
 Electrical Conn.....18" cable with 17 pin MS connector  
 Housing.....Polished Aluminum  
 Mounting.....Flex Arm Mount standard

## ST-EN-DR-300DC Wiring Table

PIN	FUNCTION
A	A
B	Z
C	B
D	----
E	----
F	----
G	----
H	+Vcc
J	----
K	0 Volts
L	----
M	----
N	/A
P	/Z
R	/B
S	----
T	----

## ST-EN-DR-300DC Waveform Diagram



NOTE: ALL DEGREE REFERENCES ARE ELECTRICAL DEGREES