

## Part # ST-EN-DR-UTD-100-0-10



The picture is for presentation purposes only. Please refer to the detailed technical drawing at the end of the page

Interface	Programmed Incremental output
Programming Functions	100 PPR Output, Counting Direction
Configuration Tool	UBIFAST Configuration Tool (Version $\geq$ 1.6.3)

## Outputs

Output Driver	Push-Pull (HTL)
Output Voltage High Level Push-Pull (HTL)	> 4 V @ 4.75-9 V Supply Voltage > V-3 V @ 9-30 V Supply Voltage
Output Voltage Low Level Push-Pull (HTL)	< 0.5 V
Output Voltage High Level RS422 (TTL)	> 4 V
Output Voltage Low Level RS422 (TTL)	< 0.5 V
Maximum Frequency Response	1 MHz
Maximum Switching Current	50 mA per Channel

## Electrical Data

Supply Voltage	4.75 - 30 VDC
Current Consumption	≤60 mA @ 5V DC, ≤30 mA @ 10V DC, ≤25 mA @ 24V DC
Power Consumption	≤ 1.0 W
Start-Up Time	< 1 s
Min. Load Resistance	120 Ω
Reverse Polarity Protection	Yes
Short Circuit Protection	Yes
EMC: Emitted Interference	DIN EN 61000-6-4
EMC: Noise Immunity	DIN EN 61000-6-2
MTTF	280 years @ 40 °C

## Sensor

Technology	Magnetic
Accuracy (INL)	±0.0878° (≤ 12 bit)
Duty Cycle	180° ± 27° (Speed > 100RPM)
Phase Angle	90° ± 14° (Speed > 100RPM)

## Environmental Specifications

Protection Class (Shaft)	IP65
Protection Class (Housing)	IP66/IP67
Operating Temperature	-30 °C fixed (-22 °F), -5 °C flexible (+23 °F) - +80 °C (+176 °F)
Humidity	98% RH, no condensation

## Mechanical Data

Housing Material	Steel
Housing Coating	Wet coating (RAL 9006 White Aluminium) + Cathodic corrosion protection (>720 h salt spray resistance)
Flange Type	Square ø 68 mm
Flange Material	Aluminum
Flange Coating	No Coating
Shaft Type	Solid, Length = 30 mm, with Male Key Way
Shaft Diameter	ø 15 mm (0.59")
Shaft Material	Stainless Steel V2A (1.4305, 303)
Max. Shaft Load	Axial 40 N, Radial 110 N
Rotor Inertia	≤ 30 gcm <sup>2</sup> [≤ 0.17 oz-in <sup>2</sup> ]
Friction Torque	≤ 3 Ncm @ 20 °C (4.2 oz-in @ 68 °F)
Max. Permissible Mechanical Speed	≤ 12000 1/min
Shock Resistance	≤ 100 g (half sine 6 ms, EN 60068-2-27)
Permanent Shock Resistance	≤ 10 g (half sine 16 ms, EN 60068-2-29)
Vibration Resistance	≤ 10 g (10 Hz - 1000 Hz, EN 60068-2-6)
Length	52,7 mm (2.07")
Weight	685 g (1.51 lb)
Minimum Mechanical Lifetime (10 <sup>8</sup> revolutions with Fa/Fr)	430 (20 N / 40 N), 150 (40 N / 60 N), 100 (40 N / 80 N), 55 (40 N / 110 N)

## Electrical Connection

Connection Orientation	Radial
Connector	Cable 2 m
Cable Length	2 m [79"]
Wire Cross Section	0.14 mm <sup>2</sup> / AWG 26
Material / Type	PVC
Cable Diameter	6 mm (0.24 in)
Minimum Bend Radius	46 mm (1.81") fixed, 61 mm (2.4") flexing

## Certification

Approval	CE
----------	----

## Product Life Cycle

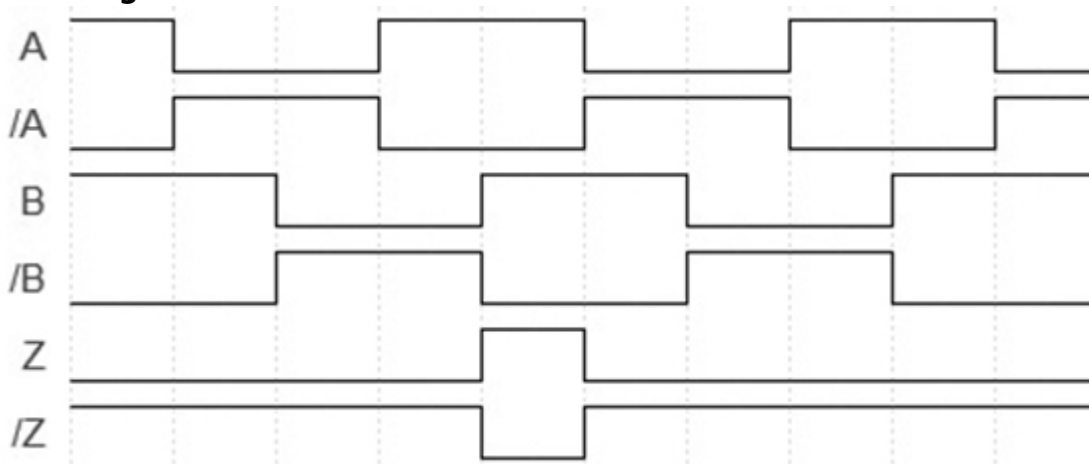
Product Life Cycle	New
--------------------	-----

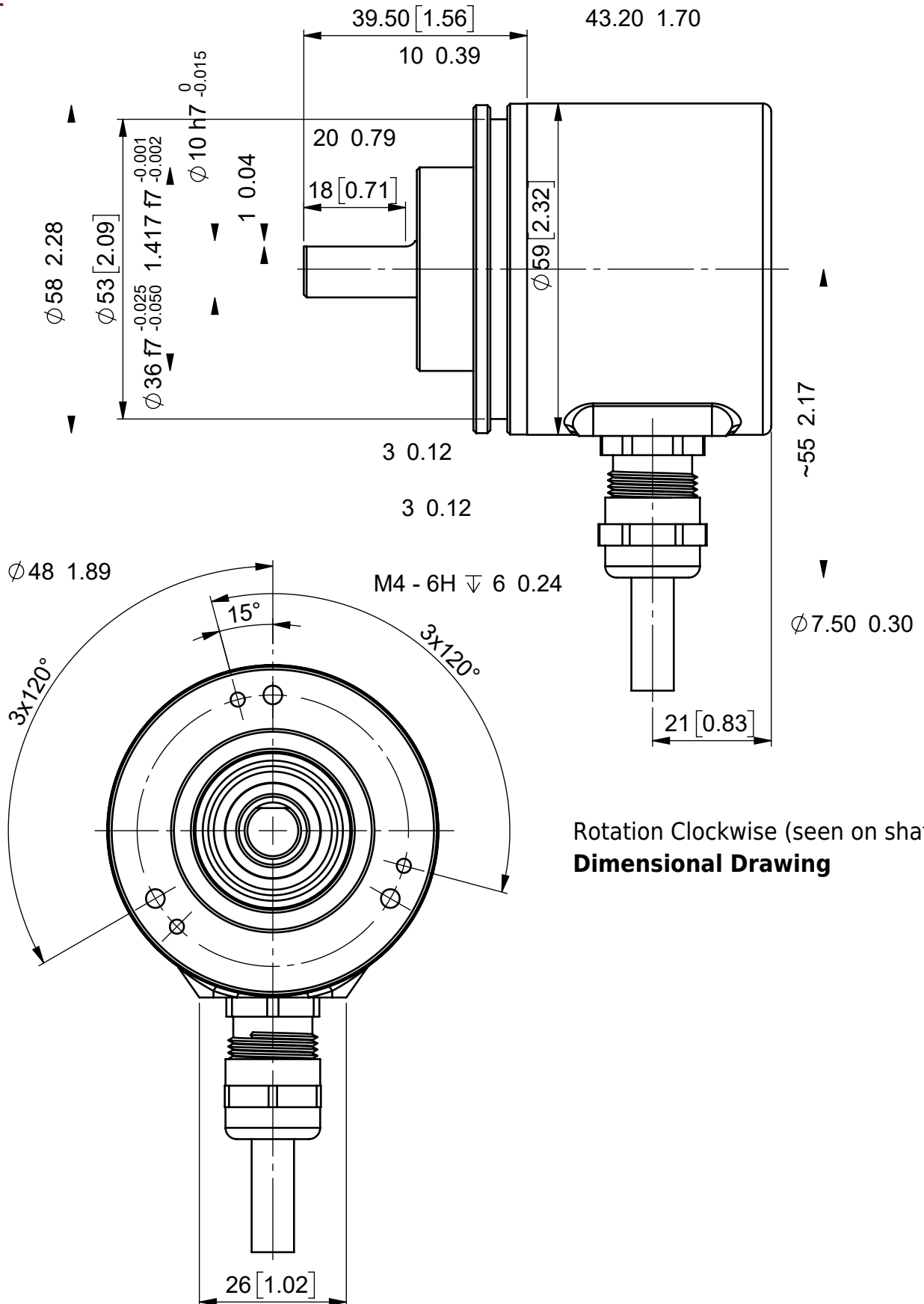
## Connection Plan

SIGNAL	CABLE COLOR
A	Green
/A	Yellow
B	Gray
/B	Pink
Z	Blue
/Z	Red
Power Supply	Brown
GND	White
Shielding	Shield

Connector-View on Encoder

## Pulse Diagram





Rotation Clockwise (seen on shaft)  
**Dimensional Drawing**